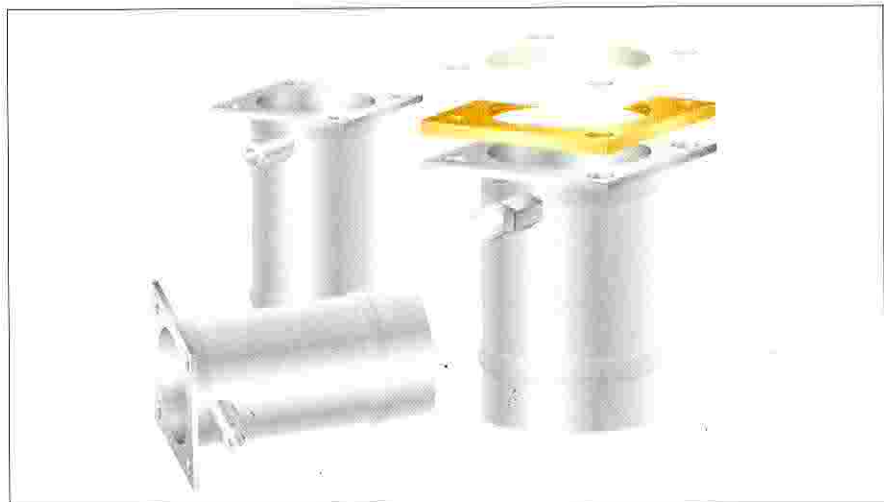


## Cable Glands

The Raychem cable gland is used with a wide range of cable boxes designed for compound filling where the distance from bushing to base-plate is a limiting factor. The gland is made to match stud spacings to BS 2562.

It is also available with an insulating plate for separate earthing and of aluminium for single core applications. These can be ordered separately as complete kits or along with the termination by adding the mod code at the end of the part number.



Application	Part Number	Mod Code
Steel/Small/X-Type/cables up to 95 mm <sup>2</sup>	EAKT 1605	G 05
Steel/Large/Y-Type/cables up to 300 mm <sup>2</sup>	EAKT 1606	G 06
Steel/Large/Y-Type/with insulating plate	EAKT 1607	G 07
Aluminium/Small/X-Type/1-core application	EAKT 1608	G 08

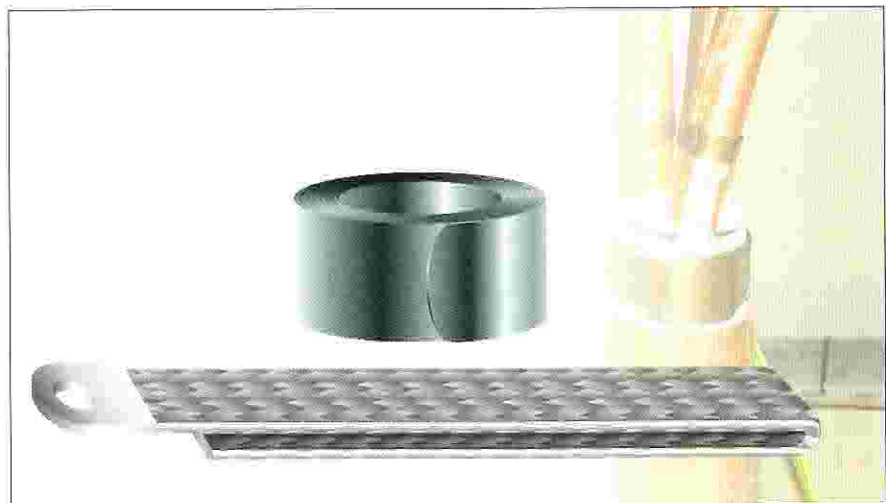
### Note:

The stud hole spacing in the small gland is 66 mm x 66 mm and in the large gland is 86 mm x 95 mm.

## Solderless Earth Connection

Copper tape screens on plastic cables can be earthed mechanically by using Raychem's solderless earth connection system. The kit comes complete with a tinned copper earthing braid and a mechanical roll spring for each phase.

These can be ordered separately as kits or with the termination by adding the mod code to the end of the part number.



Diameter over Screen (mm)	Application Range (mm <sup>2</sup> )					Part Number	Mod Code
	7.2 kV	12 kV	17.5 kV	24 kV	36 kV		
12 - 18	16 - 50	16 - 50	16 - 25	-	-	EAKT 1655	G 55
19 - 24	70 - 150	70 - 150	35 - 95	25 - 70	25 - 35	EAKT 1656	G 56
25 - 30	185 - 300	185 - 240	120 - 185	95 - 150	50 - 70	EAKT 1657	G 57
31 - 44	400 - 630	300 - 630	240 - 500	185 - 500	95 - 300	EAKT 1658	G 58
41 - 65	800 - 1000	800 - 1000	630 - 1000	630 - 1000	400 - 1000	EAKT 1659	G 59

### Note:

Solderless earth connections are also available for lead sheaths on paper cables. For such requirements please contact your local sales representative.