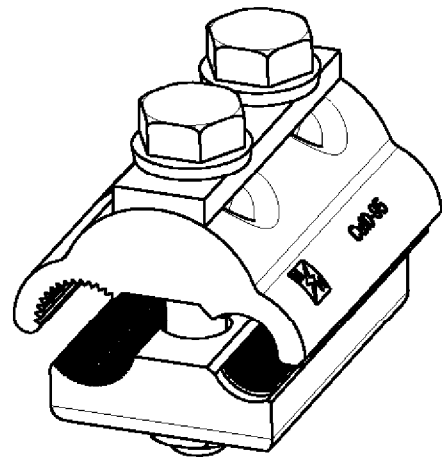
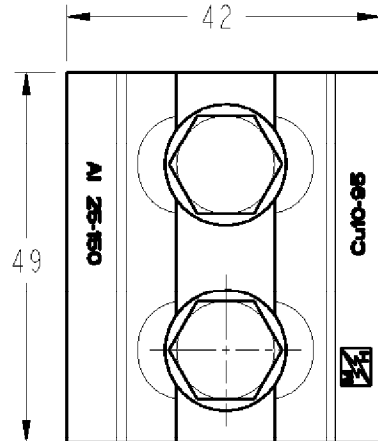
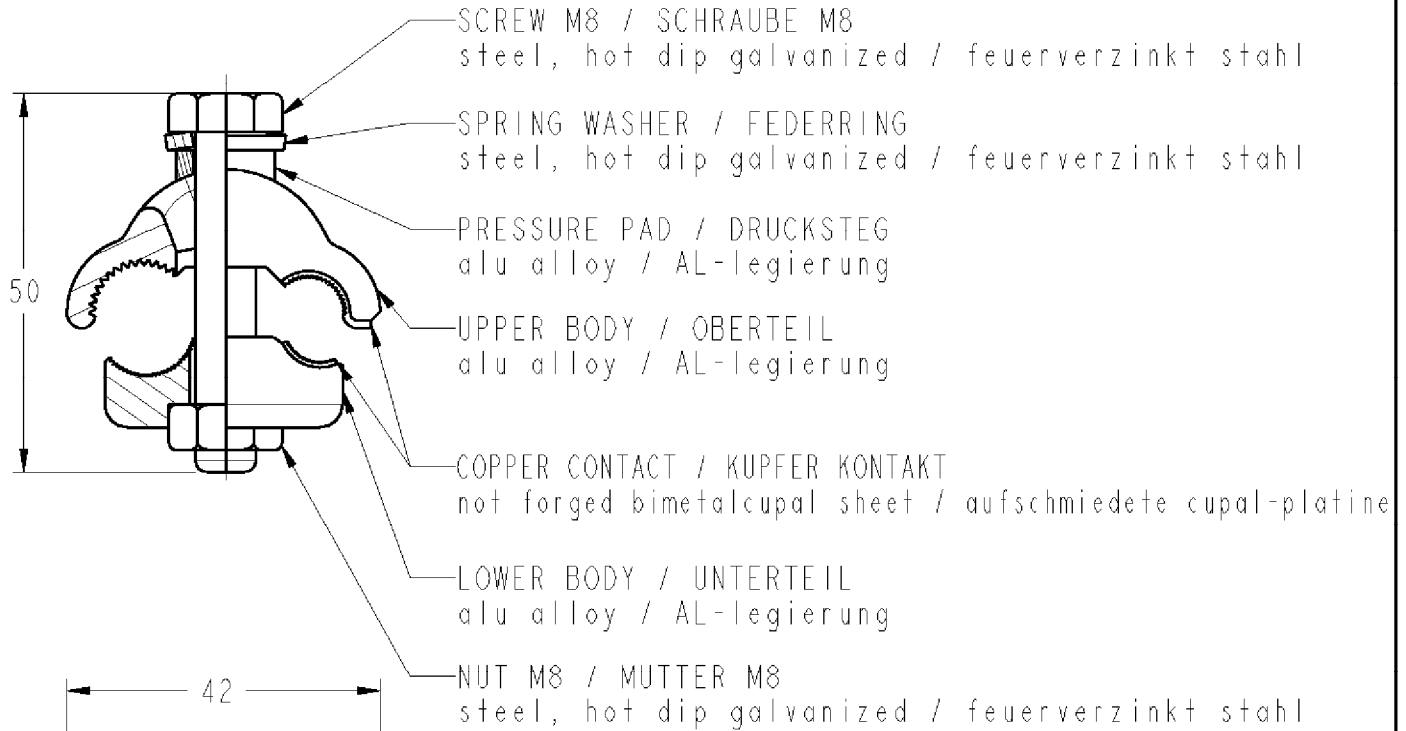


LOC	DIST	REVISIONS			
P	LTR REV	DESCRIPTION MODIFICATIONS	DATE	DWN DESS.	APVD APP.
FH	2	1	CREATION	26MAR2007	FB AG



Capacity / Klemmbereich : 25-150 mm² AL
 10-95 mm² CU
 25/4-120/20 mm² AL/St
 Tightening torque / Anzugsmoment : 22 N.m

20
 RELEASED FOR PUBLICATION
 LIBRE A LA DIFFUSION
 THIS DRAWING IS UNPUBLISHED.
 DIFFUSION RESTREINTE
 BY TYCO ELECTRONICS CORPORATION. ALL RIGHTS RESERVED.
 TOUS DROITS RESERVES.
 COPYRIGHT 20

DIMENSIONS: mm		DWN / DESSINE F. BOARD 26MAR2007	MATERIAL MATIERE -	TOLERANCES UNLESS OTHERWISE SPECIFIED TOLERANCES NON SPECIFIEES: -					
TOLERANCES UNLESS OTHERWISE SPECIFIED: TOLERANCES NON SPECIFIEES: (SUIV NB DE DECIMALES): 0 PLC / DEC: ±0 1 PLC / DEC: ±0 2 PLC / DEC: ±0 3 PLC / DEC: ±0 4 PLC / DEC: ±0 ANGLES ±-	CHK / VERIFIE G. NEDELLEC	Tyco Electronics SIMEL PRODUCTS							
	APVD / APPROUVE A. GUICHARD				NAME TITRE HEL-3911				
	PRODUCT SPEC SPEC. PRODUIT -	APPLICATION SPEC SPEC. APPLICATION -	SIZE FORMAT A4	CAGE CODE -	DRAWING NO No PLAN C=6-1199000-5	RESTRICTED TO RESERVE A -			
WEIGHT MASSE APPROX. - g		CUSTOMER DRAWING / PLAN CLIENT			UNIQUEMENT POUR REFERENCE	SCALE ECHELLE :	SHEET FEUILLE	OF DE	REV