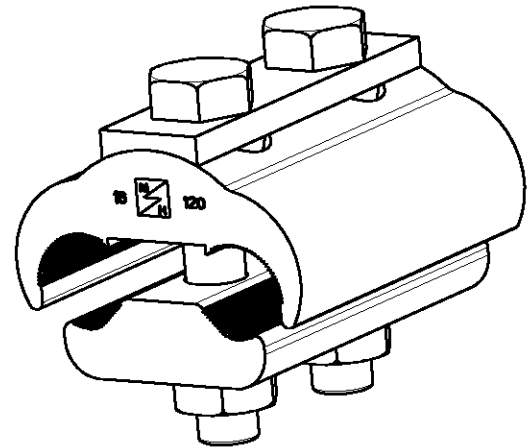
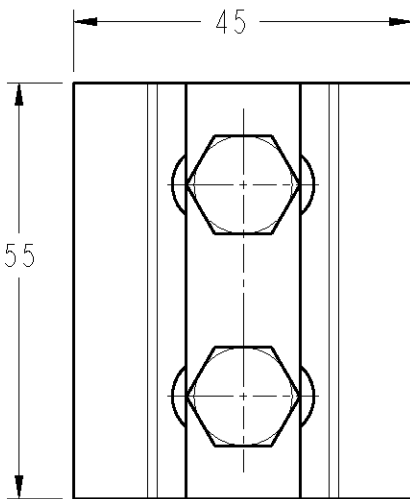
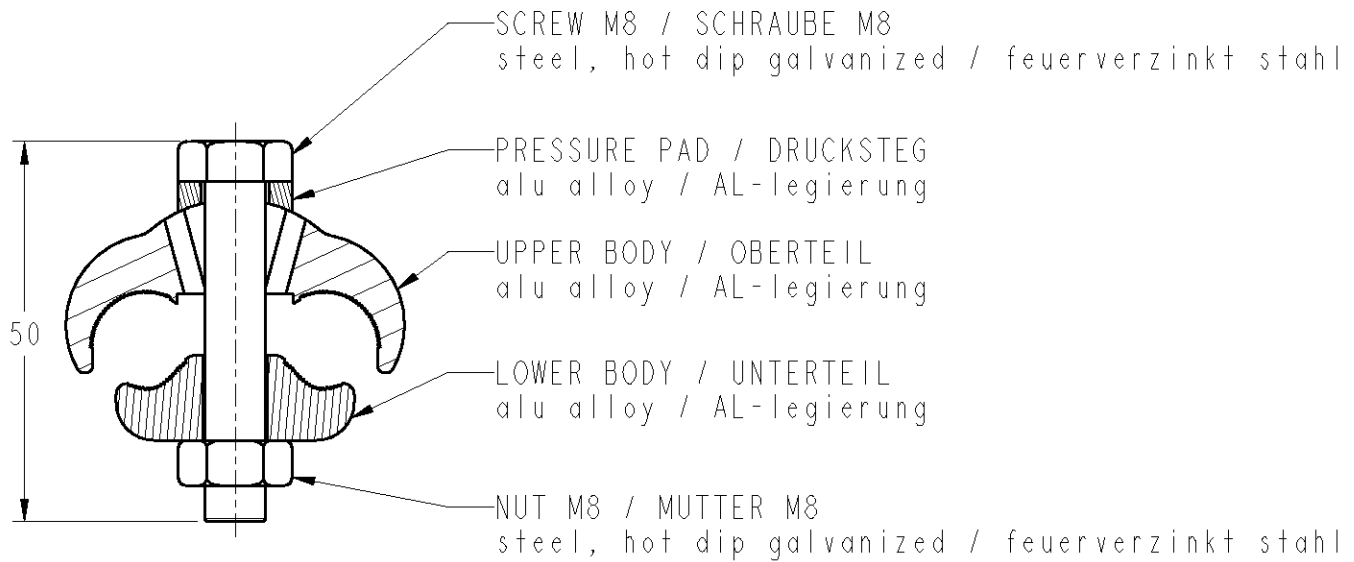


LOC	DIST	REVISIONS				
P	LTR REV	DESCRIPTION MODIFICATIONS	DATE	DWN DESS.	APVD APP.	
FH	2	1	CREATION	21MAR2007	FB AG	



Capacity / Klemmbereich : AL/ST 16/2.5-95/15 mm²
 AL 16-120 mm²
 Tightening torque / Anzugsmoment : 22 N.m

THIS DRAWING IS UNPUBLISHED. / DIFFUSION RESTREINTE. / BY TYCO ELECTRONICS CORPORATION. ALL RIGHTS RESERVED. / TOUS DROITS RESERVES. / COPYRIGHT 20

DIMENSIONS: mm TOLERANCES UNLESS OTHERWISE SPECIFIED / TOLERANCES NON SPECIFIEES (SUIV. NB DE DECIMALES): 0 PLC / DEC: ±0 1 PLC / DEC: ±0.1 2 PLC / DEC: ±0.2 3 PLC / DEC: ±0.3 4 PLC / DEC: ±0.4 ANGLES ±	DWN/DESSINE F. BOARD 21MAR2007 CHK/VERIFIE G. NEDELLEC APVD/APPROUVE A. GUICHARD PRODUCT SPEC SPEC. PRODUIT - APPLICATION SPEC SPEC. APPLICATION - WEIGHT MASSE APPROX. - g	MATERIAL MATIERE - FINISH FINITION - TOLERANCES UNLESS OTHERWISE SPECIFIED / TOLERANCES NON SPECIFIEES: - FINISH FINITION -	Tyco Electronics SIMEL PRODUCTS		
	NAME TITRE HEL-3591	SIZE FORMAT A4 CAGE CODE - DRAWING NO No PLAN C-1-1198999-4 RESTRICTED TO RESERVE A -			
CUSTOMER DRAWING / PLAN CLIENT		UNIQUEMENT POUR REFERENCE	SCALE ECHELLE :	SHEET FEUILLE OF DE	REV