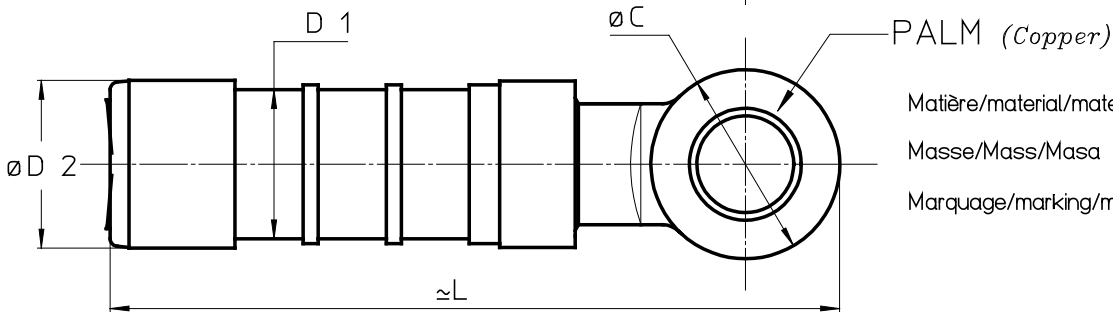
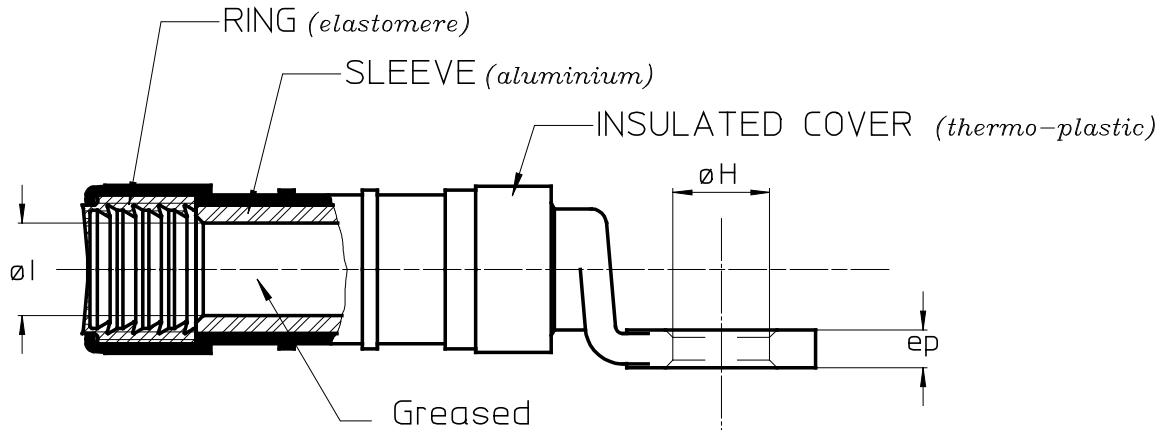


LOC	DIST	REVISIONS					
FH	00	P	LTR REV	DESCRIPTION MODIFICATIONS	DATE	DWN DESS.	APVD APPR
			G	MISE A JOUR INDICES	30-Mar-09	CA	GN



Matière/material/materia : NA
 Masse/Mass/Masa : NA
 Marquage/marketing/marcas : reference,
 area,date,
 ☒

Outilsage/Die/Herramientas : cf tab

SECTION (mm ²)	Part Number	REFERENCE	DIMENSIONS(mm)							DIE
			øl	øD1	øD2	≈L	øH	øC	ep	
16	708035-1	CPTAU 16-D16	5,3							
25	708035-2	CPTAU 25-D16	6,5	16	18,5	72	10,5	20	4,5	E140
16	-	CPTAU 16	5,5							
25	709124-2	CPTAU 25	6,5							
35	709124-3	CPTAU 35	8							
50	709124-4	CPTAU 50	9	20	22,5	99	12,8	25	5	E 173
54	709124-5	CPTAU 54	10							
70	709124-6	CPTAU 70	10,5							
95	709124-7	CPTAU 95	12,2							
80 N	-	CPTAU 80-D25	11,2				12,8			
95	709359-2	CPTAU 95-D25	12,2	25	27	115	12,8	30	6	E 215
120	-	CPTAU 120-D25	14,2				12,8			
150	709359-1	CPTAU 150-D25	15,5				12,8			

RING COLOR CODE:
 16:blue
 25:orange
 35:red
 50:yellow
 54:black
 70:white
 80N:black
 95:grey
 120:pink
 150:purple

RELEASED FOR PUBLICATION

ALL RIGHTS RESERVED.
 TOUS DROITS RESERVES

BY TYCO ELECTRONICS CORPORATION

© COPYRIGHT 2007

THIS DRAWING IS UNPUBLISHED.
 DIFFUSION RESTREINTE

DIMENSIONS:

mm

TOLERANCES UNLESS
 OTHERWISE SPECIFIED PER
 TOLERANCES NON SPECIFIEES
 SELON :

DWN /DESSINE 24-Jun-08
 C.ANDRE

CHK /VERIFIE -
 L.MAINIER

APVD /APPROUVE -
 G.NEDELLEC

PRODUCT SPEC
 SPEC. PRODUIT -

APPLICATION SPEC
 SPEC. APPLICATION -

APPROX. WEIGHT -
 MASSE APPROX.

MATERIAL -
 MATIERE

FINISH -
 FINITION

Tyco Electronics

SIMEL PRODUCTS

NAME
 TITRE CPTAU ...

SIZE
 FORMAT A4

CAGE CODE

00779

DRAWING NO
 No PLAN

© = 709124

RESTRICTED TO
 RESERVE A

-

CUSTOMER DWG / PLAN CLIENT

UNIQUEMENT
 POUR REFERENCE

SCALE
 ECHELLE 1:1

SHEET
 FEUILLE 1 OF 1
 DE 1

REV
 G