

THIS DRAWING IS UNPUBLISHED.  
 DIFFUSION RESTREINTE  
 © COPYRIGHT 20 BY TYCO ELECTRONICS CORPORATION. ALL RIGHTS RESERVED.  
 TOUS DROITS RESERVES

RELEASED FOR PUBLICATION  
 LIBRE A LA DIFFUSION

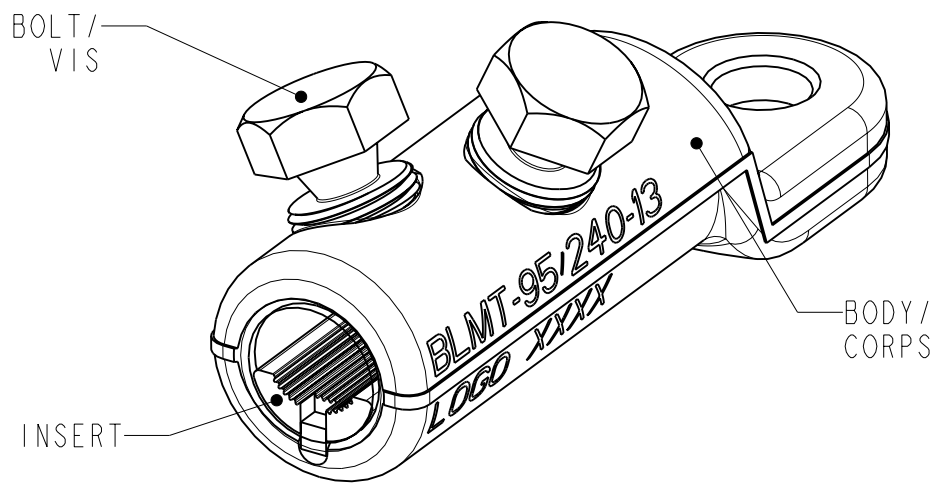
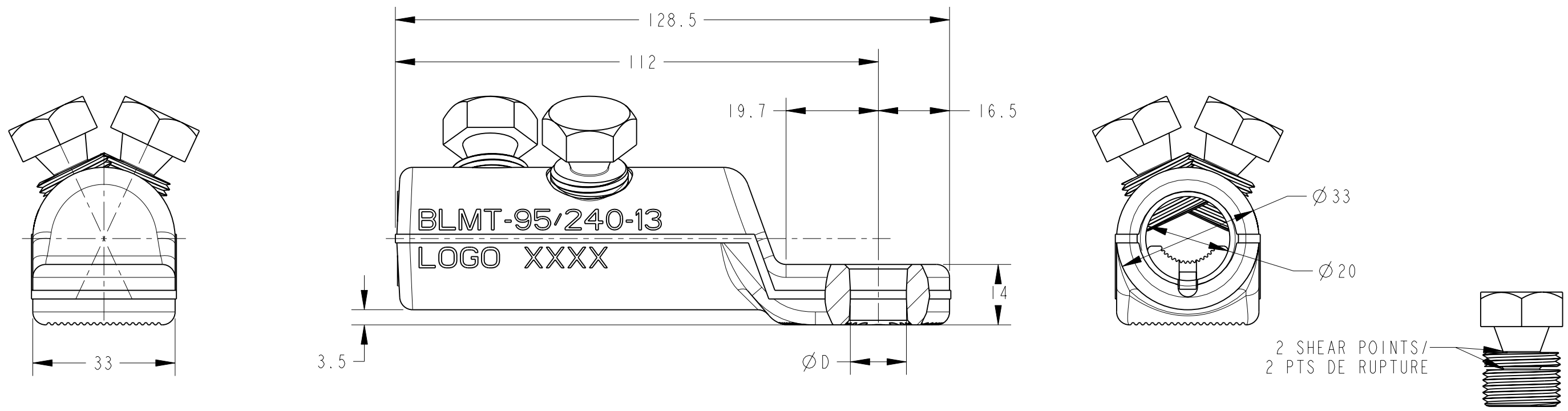
LOC  
 FH

DIST  
 2

REVISIONS

P	LTR REV	DESCRIPTION MODIFICATIONS	DATE	DWN DESS.	APVD APP.
	O	CREATION	12MAR2004	NA	AD
	A	CROSS SECTION ALU ROUND SOLID ADDED	15/11/06	AB	BP
	B	ADDITIONAL PRODUCT	10SEP2008	BM	NA
	C	ADD DIMENSIONS	26NOV2008	BM	NA

BLMT-95/240-21	21	1756148-3	CN2739-000
BLMT-95/240-17	17	6-1201353-0	E01991-000
BLMT-95/240-13	13	7-1201353-9	E44865-000
DESCRIPTION	ØD	PART NUMBER	RPN



	AL				CU	
	ROUND STRANDED /Rond câblé /RM	ROUND SOLID /Rond solide /RE	SECTOR STRANDED /Sectoral câblé /SM	SECTOR SOLID /Sectoral câblé /SE	ROUND STRANDED /Rond câblé /RM	SECTOR STRANDED /Sectoral câblé /SM
CONDUCTOR CROSS-SECTION /Section conducteur /Querschnittsbereich mm <sup>2</sup>	95-240	95-300	95-150 (185 and 240 with rounding)	95-150 (185 with 90°)	95-240	95-150 (185 and 240 with rounding)
CONDUCTOR DIAMETER /Diamètre conducteur /Leiterdurchmesser mm	Ø11-Ø19.2	Ø10.5-Ø19.3	-	-	Ø11-Ø19.2	-

TOLERANCES UNLESS OTHERWISE SPECIFIED  
 TOLERANCES NON SPECIFIEES: -

THIS DRAWING IS A CONTROLLED DOCUMENT FOR TYCO ELECTRONICS CORPORATION IT IS SUBJECT TO CHANGE AND THE CONTROLLING ENGINEERING ORGANIZATION SHOULD BE CONTACTED FOR THE LATEST REVISION. CE PLAN EST UN DOCUMENT CONTROLE PAR TYCO ELECTRONICS CORPORATION IL EST SUSCEPTIBLE D'ETRE REVISE. CONTACTER LE SERVICE TECHNIQUE POUR OBTENIR LA DERNIERE REVISION.		DWN/DESSINE 12MAR2004 N. ALMEIDA CHK/VERIFIE - R. BUTHIOT APVD/APPROUVE - A. DUPONT				SIMEL	
DIMENSIONS: mm 		TOLERANCES UNLESS OTHERWISE SPECIFIED TOLERANCES NON SPECIFIEES (SUIV NB DE DECIMALES): 0 PLC/DEC: ±0 1 PLC/DEC: ±0 2 PLC/DEC: ±0 3 PLC/DEC: ±0 4 PLC/DEC: ±0 ANGLES ±-		NAME TITRE BLMT-95/240-13 BLMT-95/240-17 BLMT-95/240-21		RESTRICTED TO RESERVE A -	
MATERIAL MATIERE AL ALLOY		FINISH FINITION TINNED		WEIGHT MASSE APPROX. - g		SIZE FORMAT A3	
CUSTOMER DRAWING /PLAN CLIENT				UNIQUEMENT POUR REFERENCE		SCALE ECHELLE :	
AMP 1470-19 REV 31MAR2000				DRAWING NO No PLAN C=1756148		SHEET FEUILLE OF DE REV C	