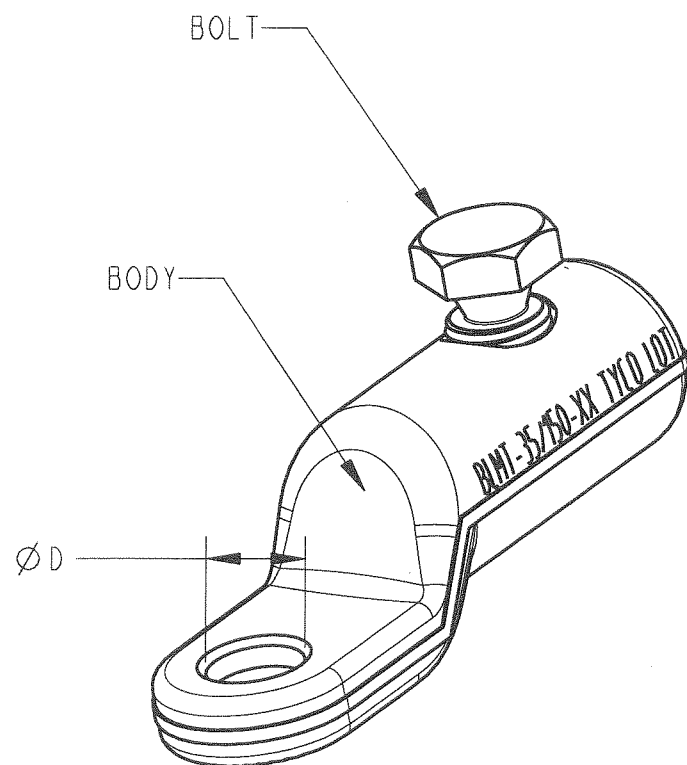
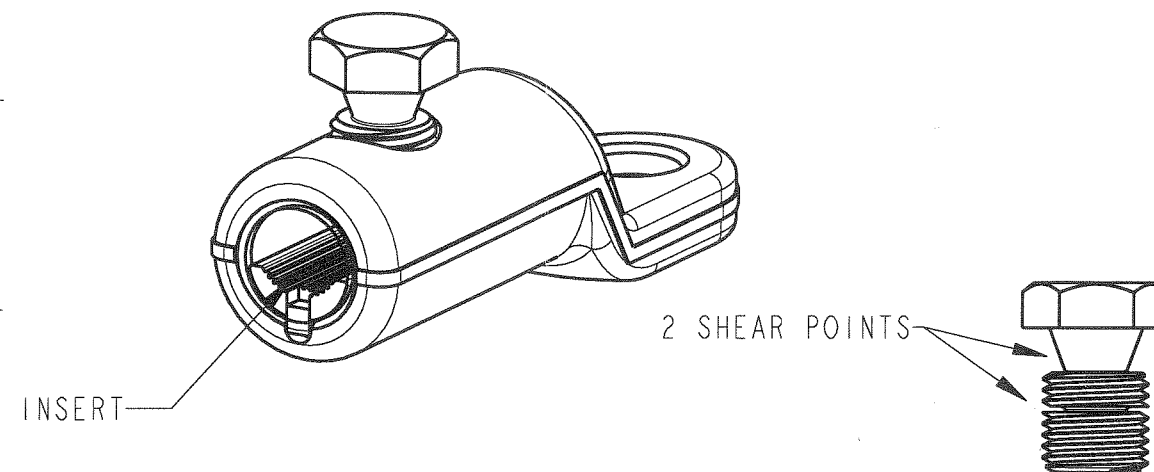
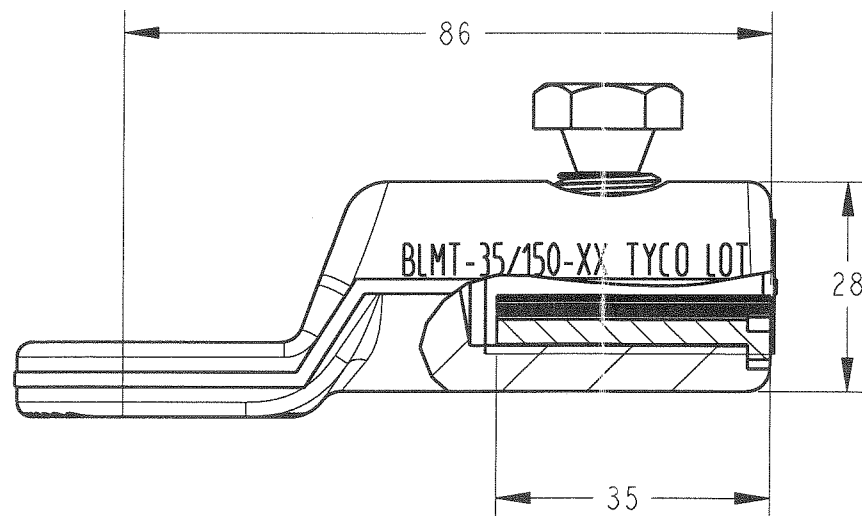
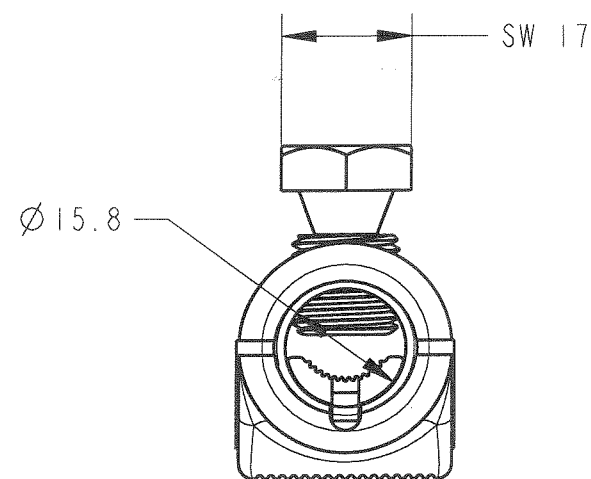


P	LTR REV	DESCRIPTION MODIFICATIONS	DATE	DWN DESS.	APVD APP.
	0	CREATION	26 JAN 2005	NA	AD

BLMT-35/150-17	17	6-1201560-2	D80047-000
BLMT-35/150-13	13	1-1201561-0	F61108-000
DESCRIPTION	ØD	PART NUMBER	RPN



	AL				CU		
	RM ROUND STRANDED	RE ROUND SOLID	SM SECTOR STRANDED	SE SECTOR SOLID	RM ROUND STRANDED	RE ROUND SOLID	SM SECTOR STRANDED
CONDUCTOR CROSS-SECTION QUERSCHNITTSBEREICH mm ²	35 - 150	35 - 150	50 - 95	50 - 120	35 - 150	35 - 50	50 - 95
CONDUCTOR DIAMETER LEITERDURCHMESSER mm	Ø 6.8 - Ø 15	Ø 6.5 - Ø 14	-	-	Ø 6.6 - Ø 15	Ø 6.5 - Ø 8	-

TOLERANCES UNLESS OTHERWISE SPECIFIED
TOLERANCES NON SPECIFIEES:

<p>THIS DRAWING IS A CONTROLLED DOCUMENT FOR TYCO ELECTRONICS CORPORATION IT IS SUBJECT TO CHANGE AND THE CONTROLLING ENGINEERING ORGANIZATION SHOULD BE CONTACTED FOR THE LATEST REVISION.</p> <p>CE PLAN EST UN DOCUMENT CONTROLE PAR TYCO ELECTRONICS CORPORATION IL EST SUSCEPTIBLE D'ETRE REVISE. CONTACTER LE SERVICE TECHNIQUE POUR OBTENIR LA DERNIERE REVISION.</p>		<p>DWN/DESSINE 26 JAN 2005 N. ALMEIDA</p> <p>CHK/VERIFIE A. DUPONT</p> <p>APVD/APPROUVE G. JOANNY</p> <p>PRODUCT SPEC SPEC. PRODUIT</p> <p>APPLICATION SPEC SPEC. APPLICATION</p>		<p>tyco Electronics</p> <p>SIMEL 21220 Gevrey-Chambertin, FRANCE</p>	
<p>DIMENSIONS: mm</p> <p>TOLERANCES UNLESS OTHERWISE SPECIFIED: TOLERANCES NON SPECIFIEES (SUIV. N° DE DECIMALES): 0 PLC/DEC: ±0 1 PLC/DEC: ±0 2 PLC/DEC: ±0 3 PLC/DEC: ±0 4 PLC/DEC: ±0 ANGLES ±</p>		<p>NAME TITRE BLMT-35/150-13 BLMT-35/150-17</p>		<p>RESTRICTED TO RESERVE A</p>	
<p>MATERIAL MATIERE AL ALLOY</p> <p>FINISH FINITION TINNED</p>		<p>SIZE FORMAT A3</p> <p>CAGE CODE 00779</p> <p>DRAWING NO No PLAN C-1806906</p>		<p>WEIGHT MASSE APPROX. -</p> <p>CUSTOMER DRAWING /PLAN CLIENT</p>	
		<p>UNIQUEMENT POUR REFERENCE</p>		<p>SCALE ECHELLE</p>	
		<p>SHEET FEUILLE</p>		<p>OF DE</p>	
		<p>REV 0</p>			