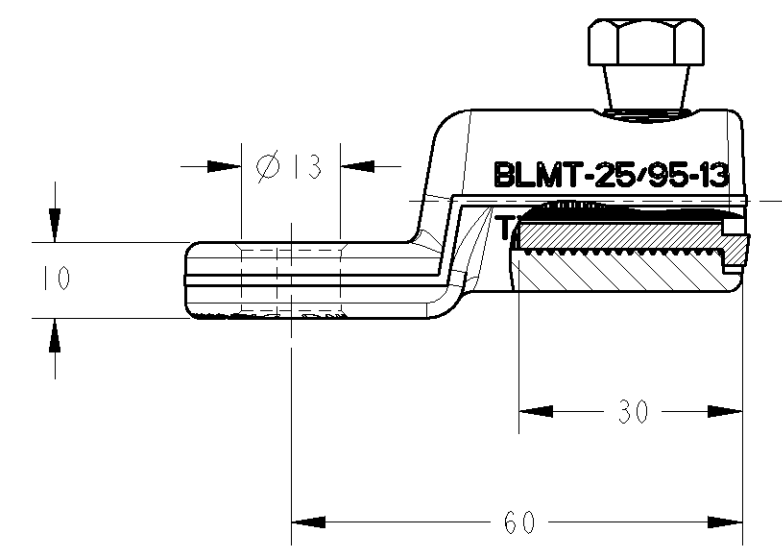
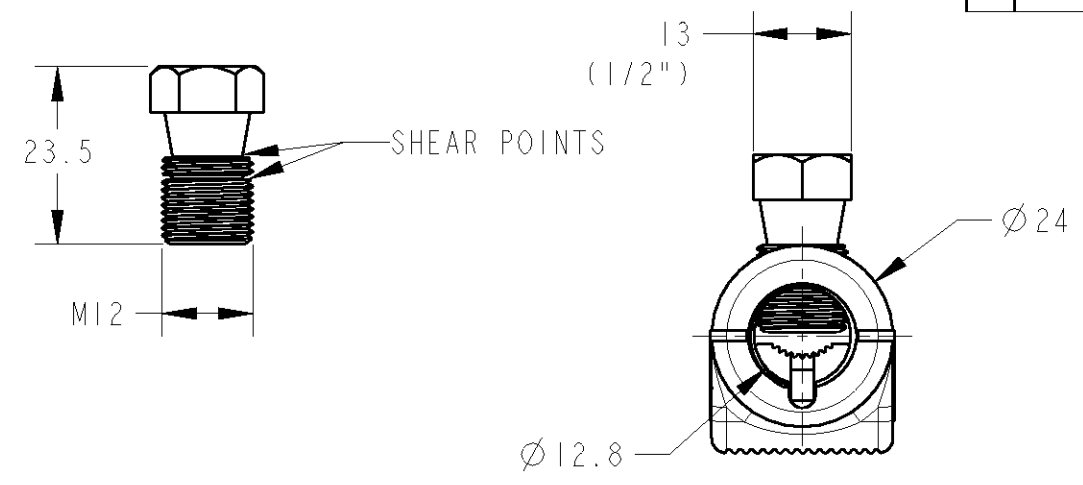
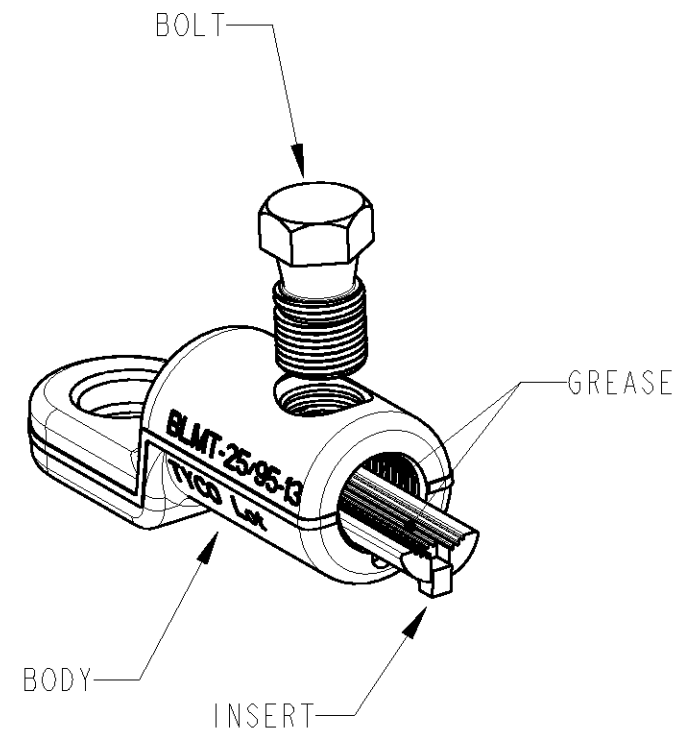


THIS DRAWING IS UNPUBLISHED.  
 DIFFUSION RESTREINTE  
 © COPYRIGHT 20 BY TYCO ELECTRONICS CORPORATION. ALL RIGHTS RESERVED.  
 TOUS DROITS RESERVES

LOC	DIST	REVISIONS				
P	LTR REV	DESCRIPTION MODIFICATIONS	DATE	DWN DESS.	APVD APP.	
	C	MODIFICATION OF RANGE SIZE	24MAY2006	BP	AD	
	O	Table updated	21JUL2003	JB	AD	
	A	PN updated	08DEC2003	JB	AD	
	B	UPDATED	27APR2004	PB	AD	



	AL			CU		
	RM ROUND STRANDED	RE ROUND SOLID	SM SECTOR STRANDED	RM ROUND STRANDED	RE ROUND SOLID	SM SECTOR STRANDED
CONDUCTOR CROSS-SECTION QUERSCHNITTSBEREICH mm <sup>2</sup>	25-95	16-95	25-70 (95 with rounding)	10-95	10-50	25-70 (95 with rounding)
CONDUCTOR DIAMETER LEITERDURCHMESSER mm	Ø 5.6-Ø 12.5	Ø 4.1-Ø 11	-	Ø 3.6-Ø 12.5	Ø 3.6-Ø 8	-

BLMT-25/95-13	7-1201352-2	A23668-000
<b>DESCRIPTION</b>	<b>PART NUMBER</b>	<b>RPN</b>

THIS DRAWING IS A CONTROLLED DOCUMENT FOR TYCO ELECTRONICS CORPORATION. IT IS SUBJECT TO CHANGE AND THE CONTROLLING ENGINEERING ORGANIZATION SHOULD BE CONTACTED FOR THE LATEST REVISION.  
 CE PLAN EST UN DOCUMENT CONTROLE PAR TYCO ELECTRONICS CORPORATION. IL EST SUSCEPTIBLE D'ETRE REVISE. CONTACTER LE SERVICE TECHNIQUE POUR OBTENIR LA DERNIERE REVISION.

DIMENSIONS: mm

TOLERANCES UNLESS OTHERWISE SPECIFIED: (SUIV. NB. DE DECIMALES):  
 0 PLC/DEC: ±0  
 1 PLC/DEC: ±0  
 2 PLC/DEC: ±0  
 3 PLC/DEC: ±0  
 4 PLC/DEC: ±0  
 ANGLES ±

FINISH FINITION: TINNED

MATERIAL MATIERE: AL ALLOY

DWN/DESSINE: 09JUL2003  
 J. BERLAND  
 CHK/VERIFIE: N ALMEIDA  
 APVD/APPROUVE: A DUPONT  
 PRODUCT SPEC SPEC. PRODUIT: IEC-61238  
 APPLICATION SPEC SPEC. APPLICATION: IEC-61238

WEIGHT MASSE APPROX.: 61g

SIZE FORMAT: A3  
 CAGE CODE: 00779  
 DRAWING NO No. PLAN: C-1667059

RESTRICTED TO RESERVE A

TYCO Electronics SIMEL 21220 Gevrey-Chambertin, FRANCE

NAME TITRE: BLMT-25/95

CUSTOMER DRAWING /PLAN CLIENT

UNIQUEMENT POUR REFERENCE

SCALE ECHELLE: 1:1

SHEET FEUILLE: 1 OF DE: 1

REV: C