

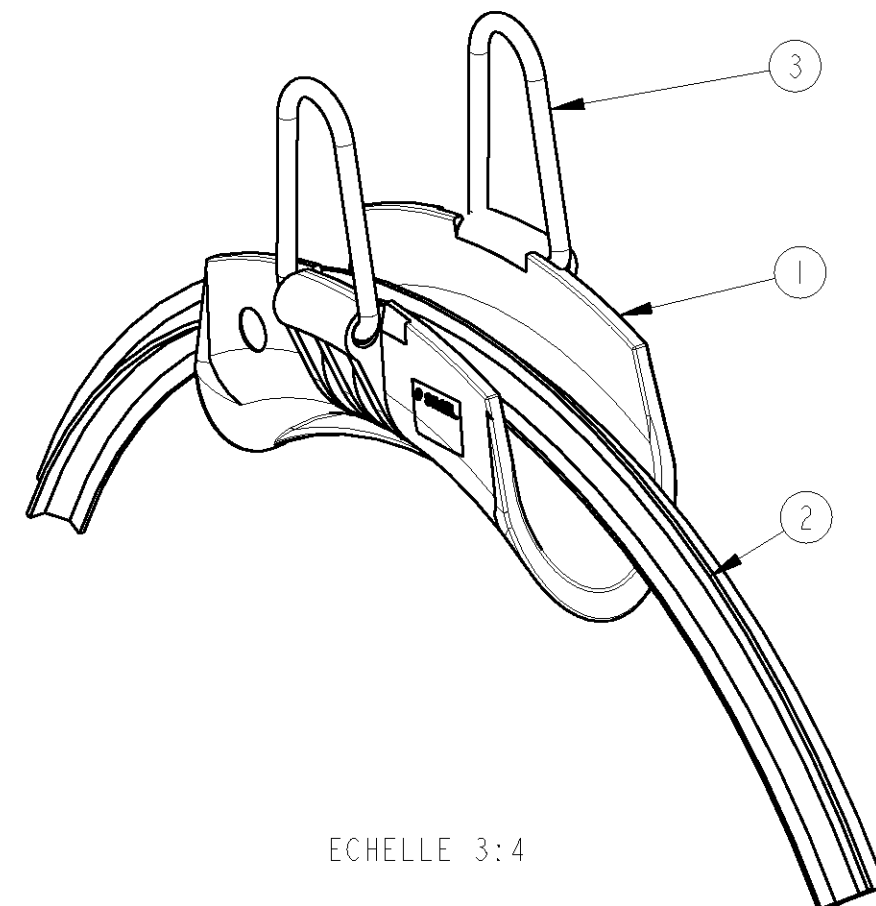
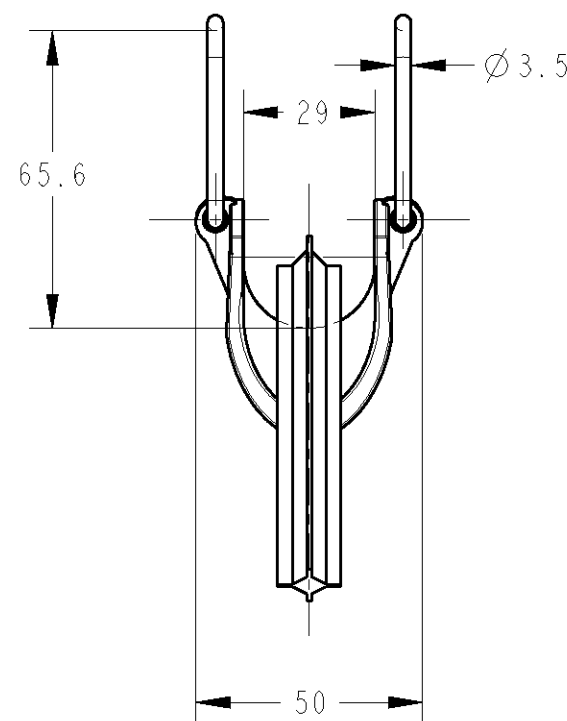
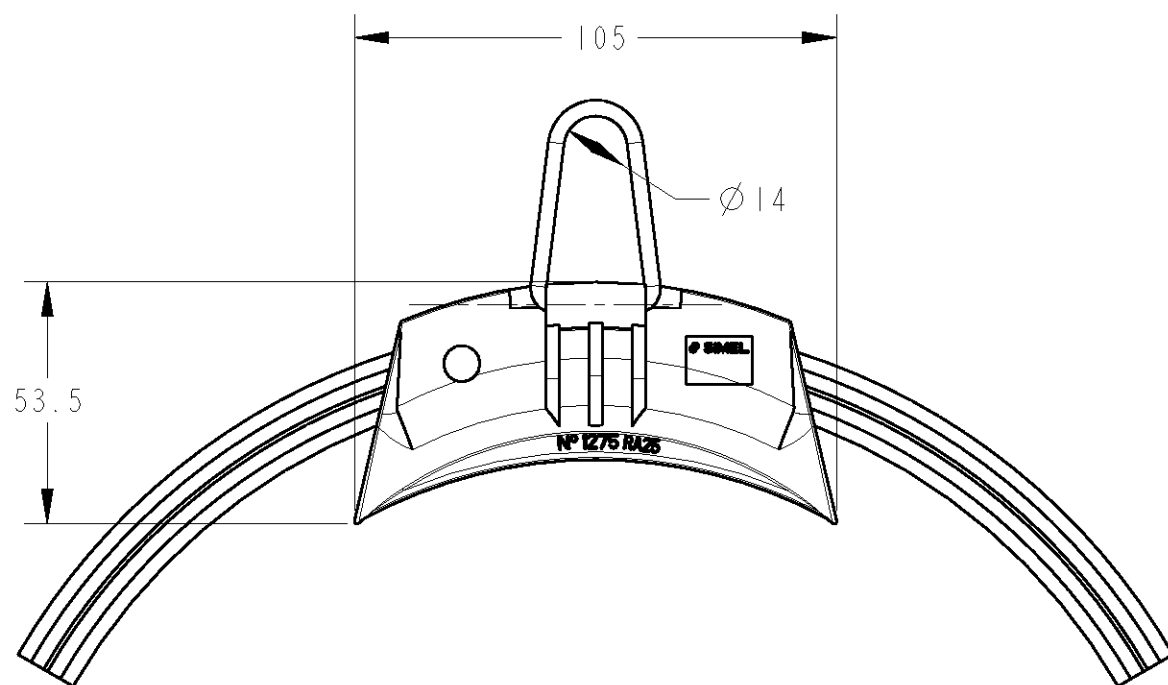
THIS DRAWING IS UNPUBLISHED.
 DIFFUSION RESTREINTE
 © COPYRIGHT 20 BY TYCO ELECTRONICS CORPORATION. ALL RIGHTS RESERVED.
 TOUS DROITS RESERVES

RELEASED FOR PUBLICATION
 LIBRE A LA DIFFUSION 20

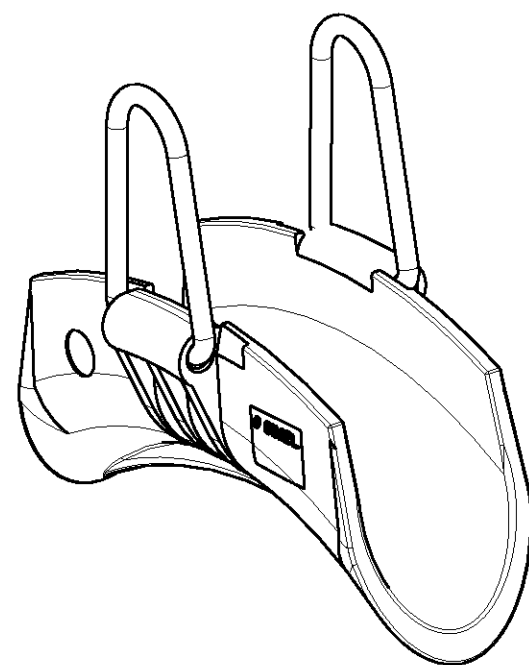
LOC DIST
 FH 2

REVISIONS

P	LTR REV	DESCRIPTION MODIFICATIONS	DATE	DWN DESS.	APVD APP.
	0	CREATION	14JUN2005	RB	DM
	A	NEW REFERENCE	08-Mar-06	GC	GP



RENOI D'ANGLE RA25	708020-1
DESCRIPTION	PART NUMBER



ECHELLE 3:4

QTY		PART NO NO DE PLAN	DESCRIPTION	ITEM NO
2	2	739485-1	ETRIER RA25	3
	1	718759-1	INTERCALAIRE RA25	2
1	1	1574628-1	CORPS DE RENVOI D'ANGLE RA25	1
-2	-1			

RENOI D'ANGLE RA25-1	708020-2
DESCRIPTION	PART NUMBER

<small>THIS DRAWING IS A CONTROLLED DOCUMENT FOR TYCO ELECTRONICS CORPORATION IT IS SUBJECT TO CHANGE AND THE CONTROLLING ENGINEERING ORGANIZATION SHOULD BE CONTACTED FOR THE LATEST REVISION. CE PLAN EST UN DOCUMENT CONTROLE PAR TYCO ELECTRONICS CORPORATION IL EST SUSCEPTIBLE D'ETRE REVISE. CONTACTER LE SERVICE TECHNIQUE POUR OBTENIR LA DERNIERE REVISION.</small>		DWN/DESSINE 14JUN2005 R. BUTHIOT CHK/VERIFIE - D. DUPORT APVD/APPROUVE - G. PORCHERAY PRODUCT SPEC - SPEC. PRODUIT - APPLICATION SPEC - SPEC. APPLICATION - WEIGHT MASSE APPROX. 785g		tyco SIMEL Electronics 21220 Gevrey-Chambertin, FRANCE NAME TITRE RENVOI D'ANGLE RA25	
DIMENSIONS: mm 		TOLERANCES UNLESS OTHERWISE SPECIFIED (SUIV NB DE DECIMALES): 0 PLC/DEC: ±0 1 PLC/DEC: ±0 2 PLC/DEC: ±0 3 PLC/DEC: ±0 4 PLC/DEC: ±0 ANGLES ±		SIZE FORMAT A3 CAGE CODE 00779 DRAWING NO No PLAN C=708020 RESTRICTED TO RESERVE A -	
MATERIAL MATIERE - FINISH FINITION -		CUSTOMER DRAWING /PLAN CLIENT UNTOUEMENT POUR REFERENCE SCALE ECHELLE 3:5 SHEET FEUILLE 1 OF DE 1 REV A		TOLERANCES UNLESS OTHERWISE SPECIFIED: - TOLERANCES NON SPECIFIEES: -	