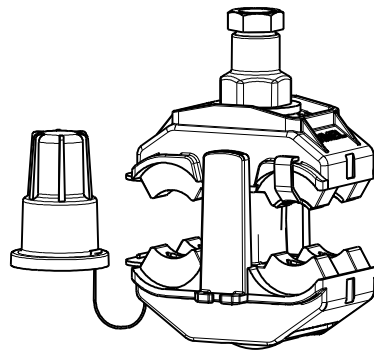
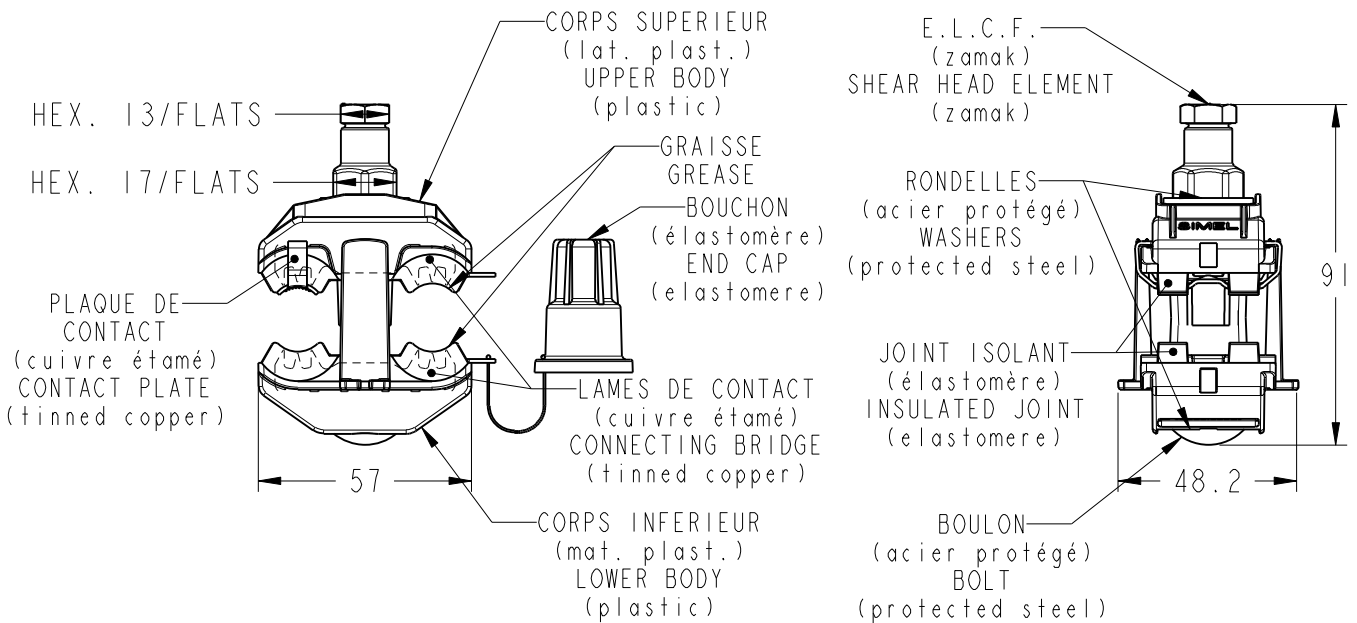


| REVISIONS | | | | | |
|-----------|---------|---------------------------|-----------|-----------|-----------|
| P | LTR REV | DESCRIPTION MODIFICATIONS | DATE | DWN DESS. | APVD APP. |
| | A | Creation | 22ACT2013 | JD | AG |
| | B | ECR-14-011939 | 07AUG2014 | JD | AG |
| | | | | | |
| | | | | | |



2107862-1
 PART NUMBER

2011
 RELEASED FOR PUBLICATION
 LIBRE A LA DIFFUSION
 ALL RIGHTS RESERVED.
 TOUS DROITS RESERVES.
 THIS DRAWING IS UNPUBLISHED.
 DIFFUSION RESTREINTE
 COPYRIGHT 2011
 BY -

| DESIGNATION | PN | CODE | CAPACITES PRICIPAL CAPACITIES MAIN | CAPACITES DERIVES CAPACITIES TAP | MASSE WEIGHT | COUPLE DE RUPTURE BREAKING SHEAR HEAD TORQUE |
|-------------|-----------|------|---|--|-----------------|---|
| P3B120 | 2107862-1 | | Bare Al/Cu : 7mm ² to 120(150)mm ² | LV ABC : 25mm ² to 95mm ² | 165g | 18 Nm |

MARQUAGE : LOGO, REFERENCE, CAPACITES, LOT
 MARKING : LOGO, REFERENCE, CAPACITIES, BATCH NUMBER

| | | | | | | |
|--|------------------------------------|----------------------|---------------------------|----------------------|------------------------------------|------------------------------|
| DIMENSIONS: mm TOLERANCES UNLESS OTHERWISE SPECIFIED: TOLERANCES NON SPECIFIEES (SUIV NB DE DECIMALES): 0 PLC/DEC: ±0 1 PLC/DEC: ±0.1 2 PLC/DEC: ±0.2 3 PLC/DEC: ±0.3 4 PLC/DEC: ±0.4 ANGLES ±- | DWN/DESSINE J. Dossmann | 22OCT2013 | MATERIAL MATIERE - | FINISH FINITION - | | |
| | CHK/VERIFIE G. Nedellec | - | TE Connectivity | | | |
| | APVD/APPROUVE A; Guichard | - | | | | |
| | PRODUCT SPEC SPEC. PRODUIT - | NAME TITRE P3B120 | SIZE FORMAT A4 | CAGE CODE - | DRAWING NO No PLAN C-2107862 | RESTRICTED TO RESERVE A - |
| WEIGHT MASSE APPROX. - | CUSTOMER DRAWING /PLAN CLIENT | | UNIQUEMENT POUR REFERENCE | SCALE ECHELLE 1:2 | SHEET FEUILLE 1 OF DE 1 | REV B |