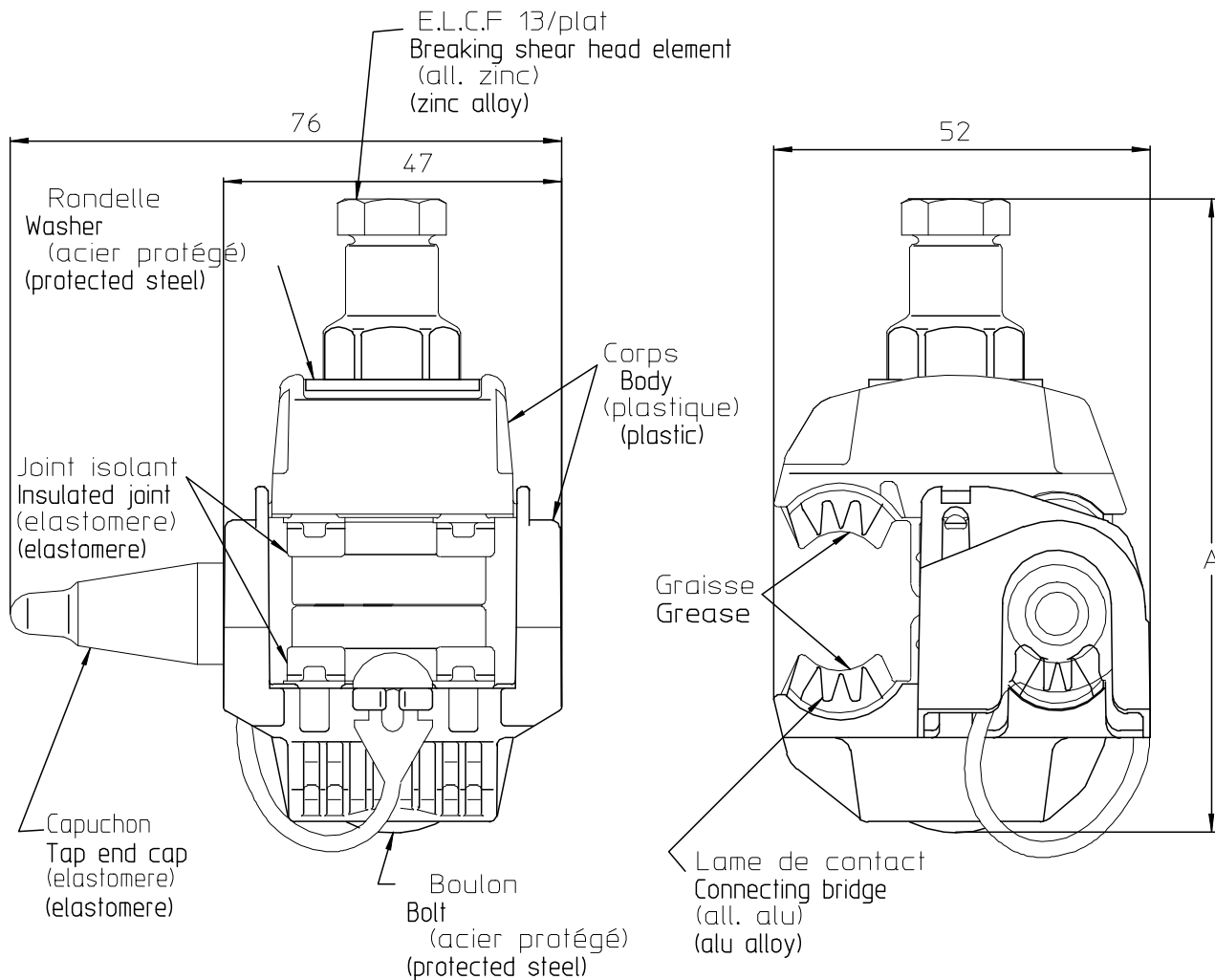


LOC		DIST		REVISIONS				
P	LTR REV	DESCRIPTION MODIFICATIONS			DATE	DWN DESS.	APVD APP.	
	FH 2	A	REPLACE 35M PAR 25			13-04-99	JB	AD
		B	MODIF TRAITEMENT			24-05-07	FB	DM



Marquage/Marking: REFERENCE, CAPACITES, DATE

PN	Code	Ref. EdF	Ref. AMP-SIMEL	Weight Masse	Dimension COTE A	CAPACITES - CAPACITIES		Couple de rupture de l'élément fusible Breaking shear head torque	Clé de serrage hexagonale Hexagonal wrench
						Principal Main	Dérivé Tap		
718291-3	002040	CBS/CT150	KZ2-150	124g	90	54.6-150	16-35M	11Nm	13
718291-2	002036	CBS/CT 70	KZ2-70	120g	87	35-70	16-35M	11Nm	13
718291-1	002030	CBS/CT 25	KZ2-25	120g	87	16-25	16-35M	11Nm	13

RELEASED FOR PUBLICATION
BY AMP INCORPORATED. ALL RIGHTS RESERVED. TOUS DROITS RESERVES.
COPYRIGHT 19
THIS DRAWING IS UNPUBLISHED. DIFFUSION RESEINTE AMP

DIMENSIONS: mm	DWN /DESSINE MERCUZOT	18-Aug-97	MATERIAL MATIERE	-	FINISH FINITION	-
	CHK /VERIFIE BAIJOT	-				
TOLERANCES UNLESS OTHERWISE SPECIFIED PER TOLERANCES NON SPECIFIEES SELON :	APVD /APPROUVE DUPONT	-				
	PRODUCT SPEC SPEC. PRODUIT	-	NAME TITRE KZ2-25 KZ2-70 KZ2-150 (Version CBS)			
	APPLICATION SPEC SPEC. APPLICATION NFC 33020	-	SIZE FORMAT A4	CAGE CODE 00779	DRAWING NO No PLAN © 718291	
WEIGHT MASSE APPROX. voir tableau			UNIQUEMENT POUR REFERENCE	SCALE ECHELLE 1:1	SHEET FEUILLE 1 OF 1 DE 1	REV B
CUSTOMER DWG / PLAN CLIENT						