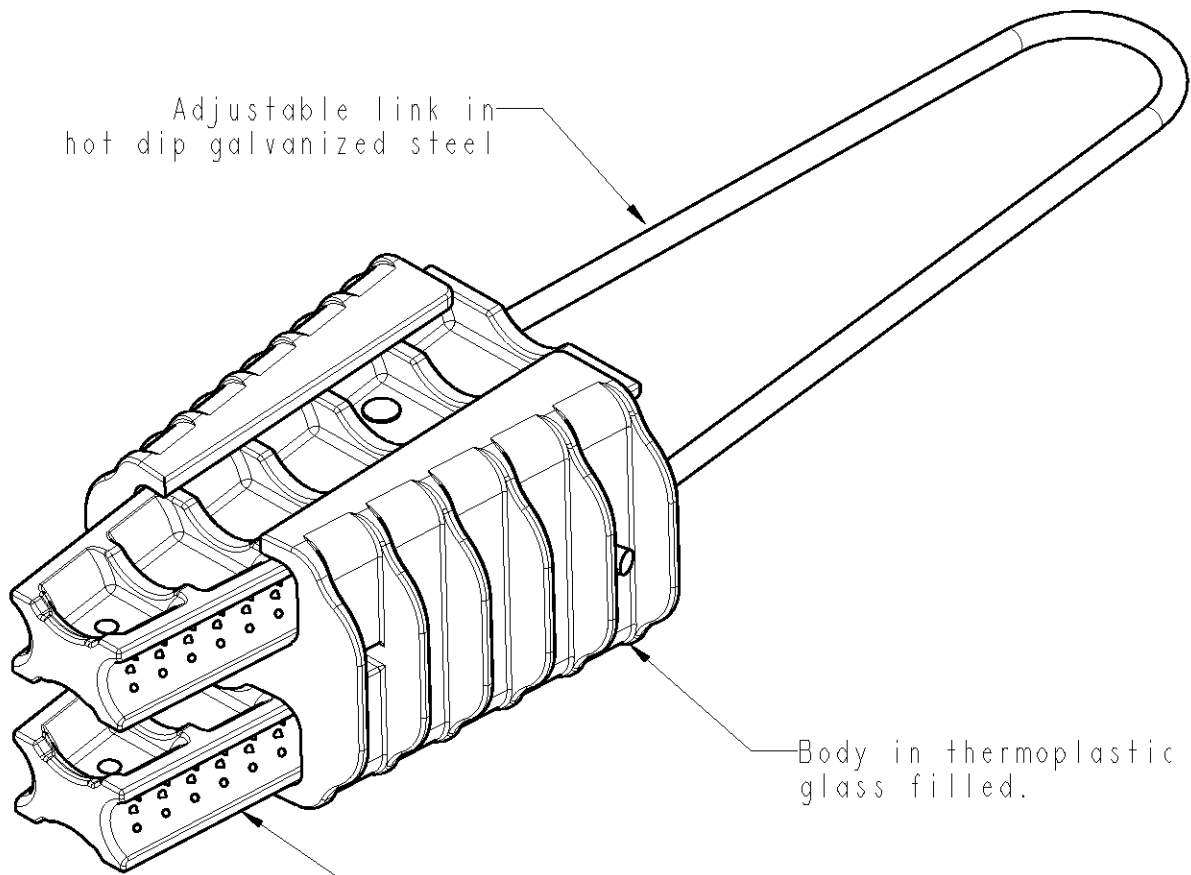
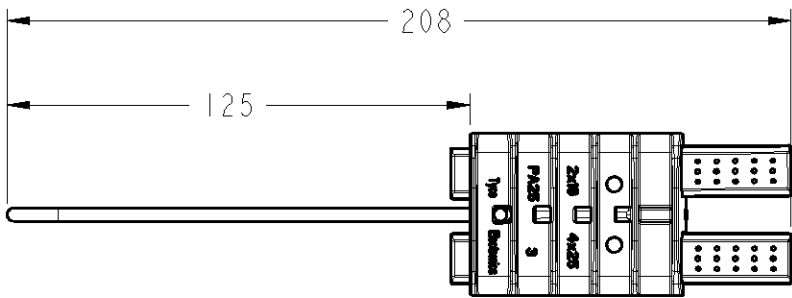
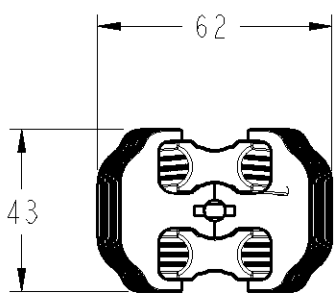


LOC	DIST	REVISIONS				
P	LTR REV	DESCRIPTION MODIFICATIONS	DATE	DWN DESS.	APVD APP.	
FH	2	A	CREATION	21JAN2008	JB	AG



Adjustable link in hot dip galvanized steel

Body in thermoplastic glass filled.

Unlooseable wedges in thermoplastic glass filled.

ECHELLE 1:1

PA25x100	1951403-1	2-4 x 16 to 25
DESCRIPTION	PART NUMBER	CAPACITES (mm ²)

TOLERANCES UNLESS OTHERWISE SPECIFIED:	-
TOLERANCES NON SPECIFIEES:	-
FINISH	-

DIMENSIONS: mm

TOLERANCES UNLESS OTHERWISE SPECIFIED / TOLERANCES NON SPECIFIEES (SUIV. NB DE DECIMALES):

0 PLC / DEC: ±0
1 PLC / DEC: ±0
2 PLC / DEC: ±0
3 PLC / DEC: ±0
4 PLC / DEC: ±0
ANGLES ±

DWN / DESSINE	J. BERLAND	21JAN2008
CHK / VERIFIE	A GUICHARD	-
APVD / APPROUVE	G NEDELEC	-
PRODUCT SPEC	SPEC. PRODUIT	-
APPLICATION SPEC	SPEC. APPLICATION	-
WEIGHT	MASSE APPROX.	110g

MATERIAL	MATIERE	-
Tyco Electronics		
NAME	TITRE	PA25
SIZE	CAGE CODE	DRAWING NO
FORMAT		No PLAN
A4	00779	C=1951403
RESTRICTED TO RESERVE A		-

CUSTOMER DRAWING	/PLAN CLIENT	UNIQUEMENT POUR REFERENCE	SCALE	ECHELLE 1:2	SHEET	FEUILLE 1	OF	DE 1	REV	A
------------------	--------------	---------------------------	-------	-------------	-------	-----------	----	------	-----	---

THIS DRAWING IS UNPUBLISHED. / DIFFUSION RESTREINTE. / BY TYCO ELECTRONICS CORPORATION. ALL RIGHTS RESERVED. / TOUS DROITS RESERVES. / COPYRIGHT 20