

THIS DRAWING IS UNPUBLISHED.
DIFFUSION RESTREINTE

RELEASED FOR PUBLICATION
LIBRE A LA DIFFUSION

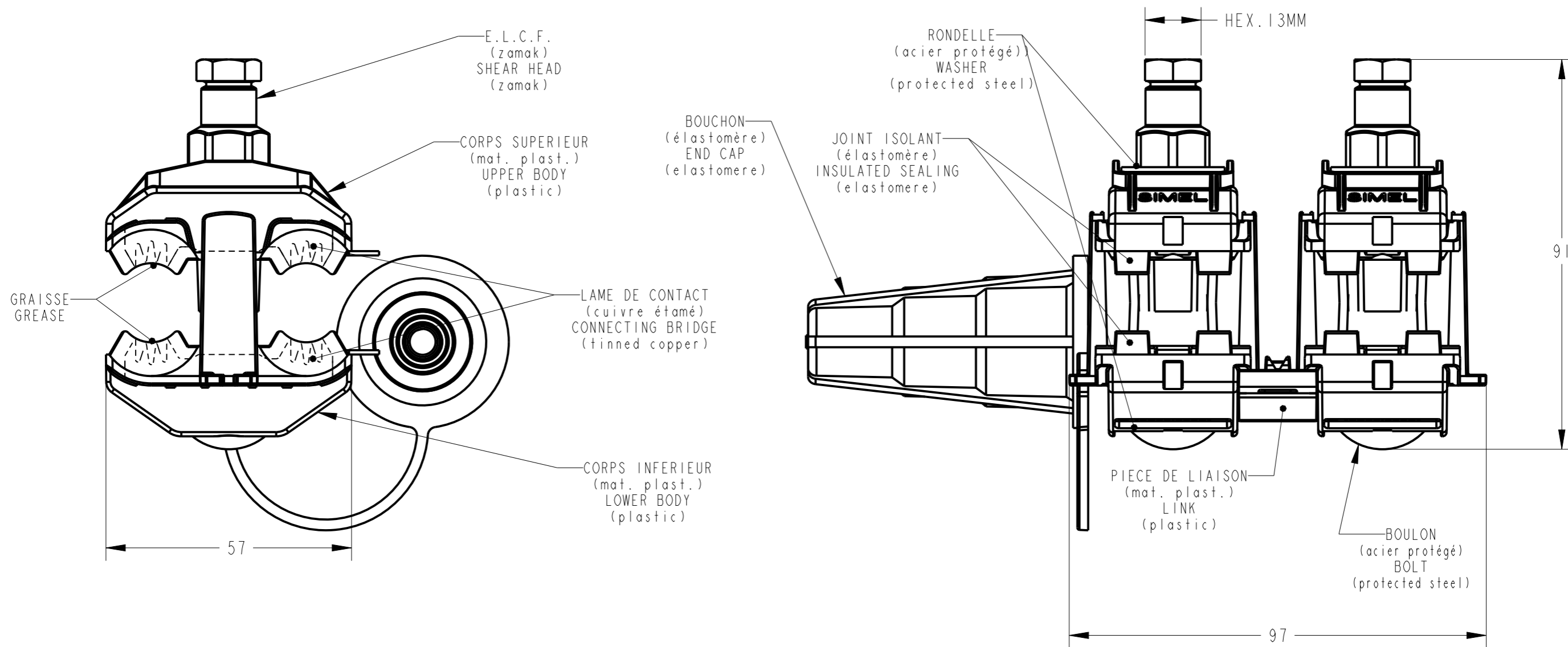
© COPYRIGHT 20 BY -

ALL RIGHTS RESERVED.
TOUS DROITS RESERVES

REVISIONS

P	LTR REV	DESCRIPTION MODIFICATIONS	DATE	DWN DESS.	APVD APP.
	B	ECR-14-014677	01/10/14	JB	AG

MARQUAGE: LOGO, REFERENCE, CAPACITES, LOT
MARKING: LOGO, REFERENCE, CAPACITIES, BATCH



TOLERANCES UNLESS
OTHERWISE SPECIFIED
TOLERANCES NON SPECIFIEES: -

REFERENCE	PN	CAPACITES PRINCIPAL CAPACITIES MAIN	CAPACITES DERIVE CAPACITIES TAP	MASSE WEIGHT	COUPLE DE RUPTURE BREAKING SHEAR HEAD TORQUE
P4X150D	1574182-1	50 à 150mm ² (185) 50 to 150mm ² (185)	50 à 150mm ² (185) 50 to 150mm ² (185)	345g	18Nm
P4X185D	1574182-3	50 à 185mm ² 50 to 185mm ²	50 à 185mm ² 50 to 185mm ²	345g	18Nm

THIS DRAWING IS A CONTROLLED DOCUMENT.
CE PLAN EST UN DOCUMENT CONTROLE PAR TYCO ELECTRONICS CORPORATION
IL EST SUSCEPTIBLE D'ETRE REVISE. CONTACTER LE SERVICE
TECHNIQUE POUR OBTENIR LA DERNIERE REVISION.

DIMENSIONS:
mm

TOLERANCES UNLESS
OTHERWISE SPECIFIED:
TOLERANCES NON SPECIFIEES
(SUIV. NO. DE DECIMALES):
0 PLC/DEC: ±0
1 PLC/DEC: ±0
2 PLC/DEC: ±0
3 PLC/DEC: ±0
4 PLC/DEC: ±0
ANGLES ±-

MATERIE -
FINISH -

DWN/DESSINE 22MAR2002
T. ROUSSEAU
CHK/VERIFIE -
E. DEREY
APVD/APPROUVE -
A. GUICHARD
PRODUCT SPEC -
SPEC. PRODUIT -
APPLICATION SPEC -
SPEC. APPLICATION -
WEIGHT -
MASSE APPROX. -

STE TE Connectivity

NAME
TITRE
P4X150D
P4X185D

SIZE
FORMAT
A3

CAGE CODE -

DRAWING NO
No. PLAN
C=1574182

RESTRICTED TO
RESERVE A -

CUSTOMER DRAWING /PLAN CLIENT

UNIQUEMENT
POUR REFERENCE

SCALE
ECHELLE 1:1

SHEET
FEUILLE

OF
DE

REV
B