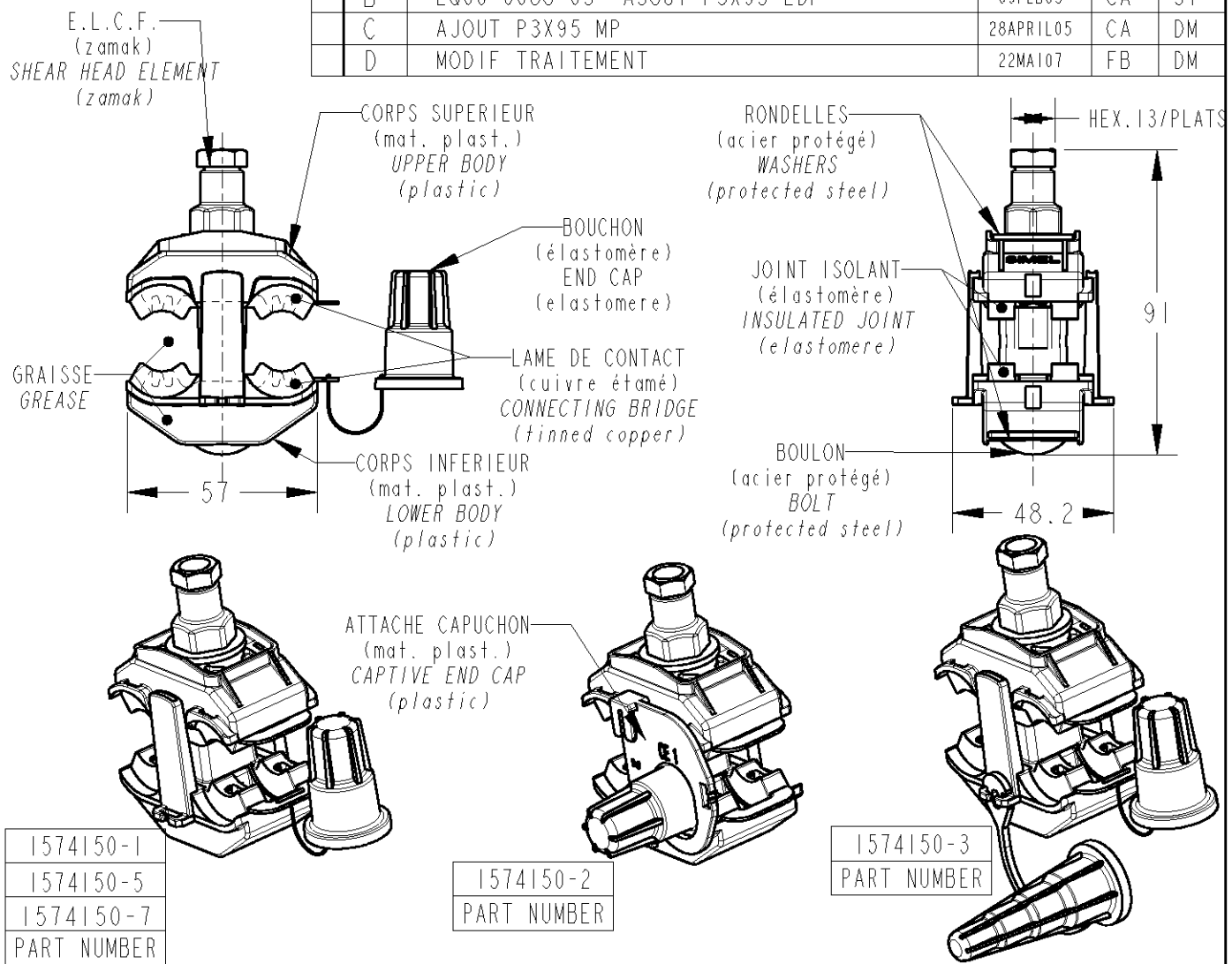


LOC	DIST	REVISIONS				
P	LTR REV	DESCRIPTION MODIFICATIONS	DATE	DWN DESS.	APVD APP.	
FH	2	A	EQ00-0225-03	AJOUT P3X95 2CE	20JUN03	CA JT
		B	EQ00-0088-05	AJOUT P3X95-EDP	09FEB05	CA JT
		C		AJOUT P3X95 MP	28APRIL05	CA DM
		D		MODIF TRAITEMENT	22MAI07	FB DM



1574150-1
 1574150-5
 1574150-7
 PART NUMBER

1574150-2
 PART NUMBER

1574150-3
 PART NUMBER

REFERENCE	PN	CODE	CAPACITES PRINCIPAL CAPACITIES MAIN	CAPACITES DERIVE CAPACITIES TAP	MASSE WEIGHT	COUPLE DE RUPTURE BREAKING SHEAR HEAD TORQUE
P3X95	1574150-1	028014	25 to 95mm ²	25 to 95mm ²	164g	18Nm
P3X95 CEC	1574150-2	030307			168g	
P3X95-2CE	1574150-3	030538			170g	
P3X95 EDP	1574150-5	036619			168g	
P3X95 MP	1574150-6				164g	

MARQUAGE: LOGO, REFERENCE, CAPACITES, LOT
 MARKING: LOGO, REFERENCE, CAPACITIES, DATE

TOLERANCES UNLESS OTHERWISE SPECIFIED -
 TOLERANCES NON SPECIFIEES: -

DIMENSIONS: mm	DWN / DESSINE C. ANDRE 09 FEB05	MATERIAL MATIERE	FINISH FINITION
	CHK / VERIFIE C. TISSE		
TOLERANCES UNLESS OTHERWISE SPECIFIED TOLERANCES NON SPECIFIEES (SUIV. NB DE DECIMALES): 0 PLC / DEC: ±0 1 PLC / DEC: ±0.1 2 PLC / DEC: ±0.2 3 PLC / DEC: ±0.3 4 PLC / DEC: ±0.4 ANGLES ±	APVD / APPROUVE G. PORCHERAY	SIMEL 21220 Gevrey-Chambertin, FRANCE	
	PRODUCT SPEC SPEC. PRODUIT	NAME TITRE P3X95	
APPLICATION SPEC SPEC. APPLICATION	WEIGHT MASSE APPROX.	SIZE FORMAT A4	RESTRICTED TO RESERVE A
CAGE CODE 00779		DRAWING NO No PLAN C=1574150	
CUSTOMER DRAWING / PLAN CLIENT		UNIQUEMENT POUR REFERENCE	SCALE ECHELLE 1:2
		SHEET FEUILLE 1	OF DE 1
		REV D	