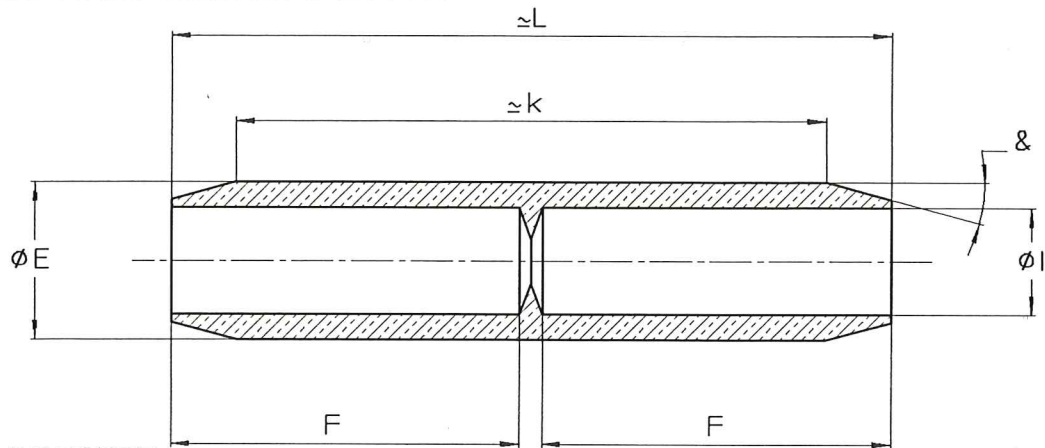


MARKING: REFERENCE, DIE, \diamond , DATE



MATERIAL: COPPER

SECTION (mm ²)	Code	REFERENCE	DIMENSIONS(mm)						DIE	
			ϕl	ϕE	F	$\approx k$	$\&^\circ$	$\approx L$	SIMEL	Burndy
16-16	01474.2	XG7C 16	5.6	12.2	27.5	40	15	57	E50Cu	11 or 375
25-25	01475.0	XG7C 25	7	12.2	27.5	45	15	57	E50Cu	11 or 375
35-35	01476.0	XG7C 35	8	12.2	27.5	49	15	57	E50Cu	11 or 375
50-50	01477.0	XG7C 50	9.5	12.2	27.5	55	15	57	E50Cu	11 or 375
70-70	01478.0	XG7C 70	11	21	46.5	66	15	96	E150Cu	17 or 298
95-95	01479.0	XG7C 95	13	21	46.5	74	15	96	E150Cu	17 or 298
100-100	07712.0	XG7C 100	14	21	46.5	77	15	96	E150Cu	17 or 298
120-120	01480.0	* XG7C 120	14.2	21	46.5	78	15	96	E150Cu	17 or 298
125-125	00209.2	XG7C 125	15.5	21	46.5	83	15	96	E150Cu	17 or 298
150-150	01481.0	XG7C 150	16	21	46.5	85	15	96	E150Cu	17 or 298
185-185	01482.0	XG7C 185	18	26.2	55	90	15	113	E240Cu	19 or 470 20 or 299
200-200	07836.2	XG7C 200	18.5	26.2	55	92	15	113	E240Cu	19 or 470 20 or 299
240-240	01483.0	XG7C 240	20	26.2	55	97	15	113	E240Cu	19 or 470 20 or 299
300-300	01484.0	XG7C 300	23.3	32	73	125	15	150	E400Cu	24 or 473
400-400	01485.0	XG7C 400	26	32	73	135	15	150	E400Cu	24 or 473
500-500	01486.1	XG7C 500	29.5	42	80	125	15	164	E630Cu	-
630-630	01487.2	XG7C 630	33.5	42	80	140	15	164	E630Cu	-

SIMEL reserve the right to modify product technical characteristics without prior notice

08VAC0230b



route de Saulon
21220 Gevrey-Chambertin
FRANCE

SIMEL

Telex:350856F Fax:80341015

MEDIUM VOLTAGE COMPRESSION FERRULE

XG7C

a	first issue A et R 09VAB0060	28/11/91	drawn: CMA
b	mise à jour	23/09/93	checked: mg
			approved: TJC
Ech: 1/1 *			BD