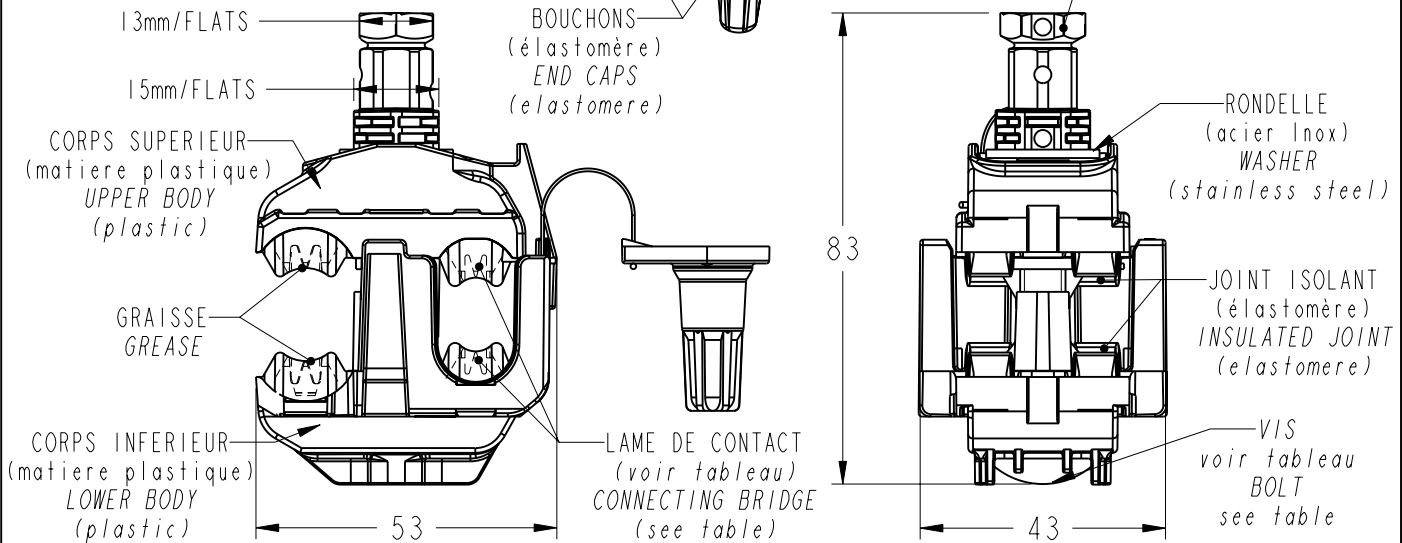
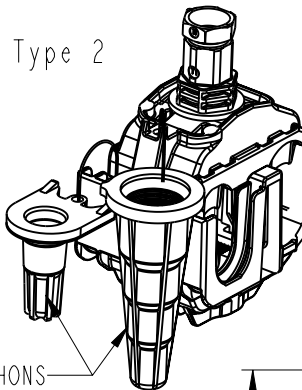
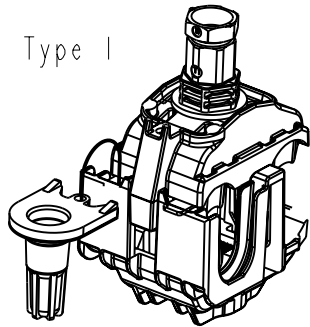


LOC	DIST	REVISIONS					
P	LTR	REV	DESCRIPTION	MODIFICATIONS	DATE	DWN	APVD
						DESS.	APP.
	FH	2	E	SUP-4 (ECR 11-025576)	19DEC2011	JD	AG



REFERENCE	PN	Type	CAPACITES PRINCIPAL CAPACITIES MAIN mm2	CAPACITES DERIVE CAPACITIES TAP mm2	Matière lame Bridge material	Protection Vis Bolt finish	MASSE WEIGHT	COUPLE DE RUPTURE BREAKING SHEAR HEAD TORQUE
P2X95 MK2	2037763-1	1	16 to 95	4 to 35 (50)	Alu alloy	Protected Steel	108g	11Nm
P2X95U MK2	2037763-2	1	16 to 95	4 to 35 (50)	Copper	Protected Steel	130g	11Nm
P2X95U GERMANY MK2	2037763-5	1	16 to 95	4 to 35	Copper	Protected Steel	130g	11Nm
P2X95 2CE MK2	2037763-6	2	16 to 95	4 to 35 (50)	Alu alloy	Protected Steel	112g	11Nm
P2X95 EDP MK2	2037763-7	1	16 to 95	4 to 35 (50)	Alu alloy	Protected Steel	108g	11Nm

MARQUAGE: LOGO, REFERENCE, CAPACITES, LOT  
 MARKING: LOGO, REFERENCE, CAPACITIES, BATCH

TOLERANCES UNLESS OTHERWISE SPECIFIED: -  
 TOLERANCES NON SPECIFIEES: -

DIMENSIONS: mm	DWN /DESSINE ANDRE	22DEC2010	MATERIAL MATIERE	-	FINISH FINITION	-
	CHK /VERIFIE D. MERCUZOT	-	SIMEL PRODUCTS			
TOLERANCES UNLESS OTHERWISE SPECIFIED: TOLERANCES NON SPECIFIEES (SUIVANT DE DECIMALES): 0 PLC /DEC: ±0 1 PLC /DEC: ±0.1 2 PLC /DEC: ±0.2 3 PLC /DEC: ±0.3 4 PLC /DEC: ±0.4 ANGLES ±	APVD /APPROUVE A. GUICHARD	-				
	PRODUCT SPEC SPEC. PRODUIT	-	SIZE FORMAT	A4	DRAWING NO No PLAN	RESTRICTED TO RESERVE A
WEIGHT MASSE APPROX.	- g	CAGE CODE	-	C=2037763		
CUSTOMER DRAWING /PLAN CLIENT		UNIQUEMENT POUR REFERENCE	SCALE ECHELLE	3:4	SHEET FEUILLE	OF DE
						REV E