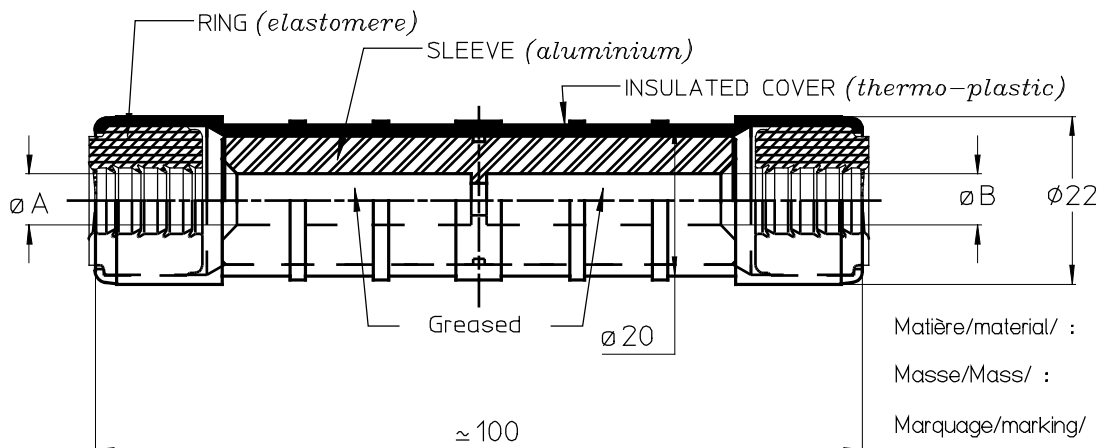


LOC	DIST	REVISIONS			
P	LTR REV	DESCRIPTION MODIFICATIONS	DATE	DWN DESS.	APVD APPR
FH	00	F	MISE A JOUR PLAN/CARTOUCHE	24-Jun-08	FM GP
		G	MISE A JOUR pour docmanager	24-Dec-08	CA GP



Matière/material/ : NA
 Masse/Mass/ : NA
 Marquage/markings/ : reference, area, date,

Outillage/Die/ : E173

Number of crimps: 2x3 (width=9mm)

Conductors		Part Number	REFERENCE	Ø A	Ø B
Cond.A	Cond.B				
16	16	708357-2	MJPT 16	5.5	5.5
25	25	709357-3	MJPT 25	6.5	6.5
35	35	708007-2	MJPT 35	8	8
35	25	1-708007-2	MJPT 35-25	8	6.5
50	50	708007-3	MJPT 50	9	9
50	25	1-708007-1	MJPT 50-25	9	6.5
50	35	1-708007-0	MJPT 50-35	9	8
70	70	708007-7	MJPT 70	10.5	10.5
70	16	1-709357-8	MJPT 70-16	10.5	5.3
70	35	708007-5	MJPT 70-35	10.5	8
70	50	708007-8	MJPT 70-50	8	8
70	54	1-709357-7	MJPT 70-54	10.5	10
95	95	1-709357-3	MJPT 95	12.2	12.2
95	25	2-709357-4	MJPT 95-25	12.2	6.5
95	35	2-709357-3	MJPT 95-35	12.2	8
95	50	1-709357-6	MJPT 95-50	12.2	9
95	70	1-709357-5	MJPT 95-70	12.2	10.5

RING COLOR CODE:

- 16: blue
- 25: orange
- 35: red
- 50: yellow
- 54: black
- 70: white
- 95: grey

RELEASED FOR PUBLICATION

ALL RIGHTS RESERVED. TOUS DROITS RESERVES

BY TYCO ELECTRONICS CORPORATION

COPYRIGHT 2007

THIS DRAWING IS UNPUBLISHED. DIFFUSION RESTREINTE



DIMENSIONS:

mm

TOLERANCES UNLESS OTHERWISE SPECIFIED PER TOLERANCES NON SPECIFIEES SELON :-

DWN /DESSINE 24-Dec-08

C.ANDRE

CHK /VERIFIE -

L.MAINIER

APVD /APPROUVE -

G.PORCHERAY

PRODUCT SPEC

SPEC. PRODUIT -

APPLICATION SPEC

SPEC. APPLICATION -

APPROX. WEIGHT

MASSE APPROX. -

MATERIAL -

MATIERE -

FINISH -

FINITION -



SIMEL PRODUCTS

NAME

TITRE

MJPT ... D20

(sleeve for phase conductors of LV-ABC systems with neutral messenger)

SIZE FORMAT

A4

CAGE CODE

00779

DRAWING NO

No PLAN

© = 708007

RESTRICTED TO

RESERVE A

-

CUSTOMER DWG / PLAN CLIENT

UNIQUEMENT POUR REFERENCE

SCALE ECHELLE 1:1

SHEET FEUILLE 1 OF 1

DE 1

REV G